

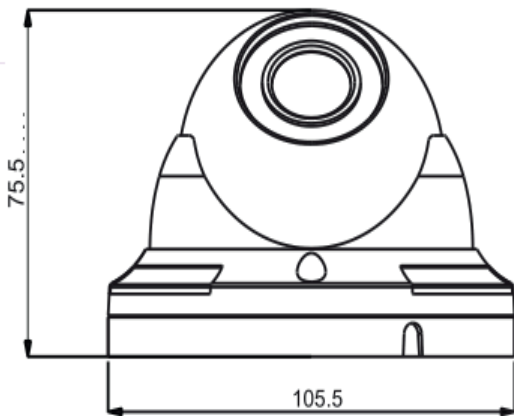


# QVIS® | 5MP IR VANDAL EYEBALL NETWORK CAMERA

## FEATURES:

- 1/2.7" Progressive Scan CMOS
- Up to 5 Megapixel high resolution
- 3D Digital Noise Reduction & ROI
- DC12V & PoE
- Support H.265+ ,H.265
- IP67, IK10

## DIAGRAM:



SPECIFICATION	EYE-5MP-FG-2.8 / EYE-5MP-FW-2.8
<b>CAMERA</b>	
Image Sensor	1/2.7" Progressive Scan CMOS Sensor
Min. Illumination	0.001 Lux (F1.2), 0 Lux (IR on)
Shutter Time	Auto, 1/25 ~ 1/10000s
Lens	2.8mm
Lens Mount	M12
Day & Night	IR cut filter with auto switch
Wide Dynamic Range	>80dB
Digital Noise Reduction	3D NR
S/N Ratio	≥50db(AGC OFF)
Privacy Masking	Up to 4 areas
<b>Compression Standard</b>	
Video Compression	H.265 / H.265+ / H.264 & MJPEG
H.265 Code Profile	Main Profile
Video Bit Rate	32KB ~16Mbps, support VBR, CBR
Dual Stream	Dual-stream encoding
<b>Video</b>	
Max. Image Resolution	2592 x 1944
Resolution	2592*1944/2048*1536/1080P(1920×1080)/D1(704×576)/VGA(640*480)/QVGA(320×240)
Frame Rate	Main Stream: 2592*1944(1~15fps);2048*1536 / 1080P (1 ~ 25/30fps) Sub Stream: D1(704*576) / VGA(640*480) / QVGA(320*240) (1 ~ 25/30fps)
<b>Smart Function</b>	
Smart Coding	Support low code rate, ROI area coding,support 4 ROI area
Smart Detect	Support block detection, defocus detection, brightness detection, colour detection, sound detection, remnants detection, motion detection, virtual cordon, regional invasion
Smart Control	Support intelligent control alarm on, alarm off, fault
<b>Network</b>	
Network Storage	Video record, Picture format
Alarm Trigger	Manual, Automatic (motion detection, alarm, schedule, cycle)
Protocols	IPv4/IPv6, HTTP, TCP/IP, UDP, RTP, RTSP, RTCP, DNS, DDNS, DHCP, FTP, PPPoE, SMTP, UPNP
Alarm Data Transmission	FTP, E-mail, Browser, CMS
Access Standard	Support latest ONVIF 2.42 / GB28181 / SDK
APP	iPhone, iPad, Android
<b>Interface</b>	
Communication Interface	1 RJ45 10M/100M Ethernet interface
<b>General</b>	
Operating Conditions	-20°C~ +55°C, Less than 90% RH
Power Supply	DC12V / PoE (802.3af)
Power Consumption	<3W
Weather Proof	IP67
IR Range	Up to 30M
Dimensions	Φ105.5mm*75.5mm
Weight	390g (net), 500g (gross)
Max. User Access	8/20 users, IE, Google, Firefox
Smart Phone	iPhone, iPad, Android